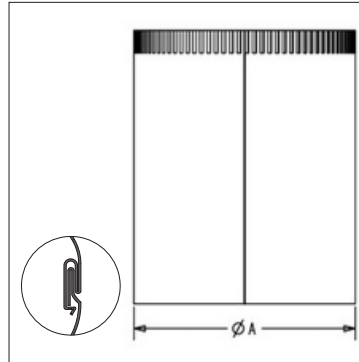


Snap Lock Pipe



Product Data Sheet



Description

Elgen's Snap Lock Pipe is used for low pressure applications.

Standard Construction

Manufactured from 26 GA ASTM A-653 & ASTM A-924 G60 material.
60" length

Features

Meets SMACNA RL-8 Longitudinal Seam-page 3.5 figure 3-2 in 2005 3rd edition
Reeves Lock and Button Lock come standard on every piece.
Pressure rating (-1" to +2" water gauge)
Union Made Yellow Label

Optional Construction

30 GA, 28GA, & 24 GA
Galvanized G90 Galvanized
48" & 24" lengths
Stainless Steel 304
Stainless Steel 316
Aluminum
PCD
Galvanneal (Paint Grip)
Agion (Antimicrobial Coating)

Packaging

Size (in) A	Length (in)	Bundle Qty	Skid Qty	Weight per Skid (lbs)
3	60	10	640	3,100
4	60	10	640	3,900
5	60	10	300	2,300
6	60	10	300	2,700
7	60	10	200	2,100
8	60	10	200	2,300
9	60	10	160	2,100
10	60	5	80	1,200
12	60	5	80	1,400
14	60	5	45	900
16	60	5	45	1,000

Guarantee

All Elgen products are guaranteed by Elgen Manufacturing against defective material.

Elgen Manufacturing
10 Railroad Ave, Closter NJ 07624
Tel: 800.503.9805 :: Fax: 201.964.9030
info@elgenmfg.com :: www.elgenmfg.com